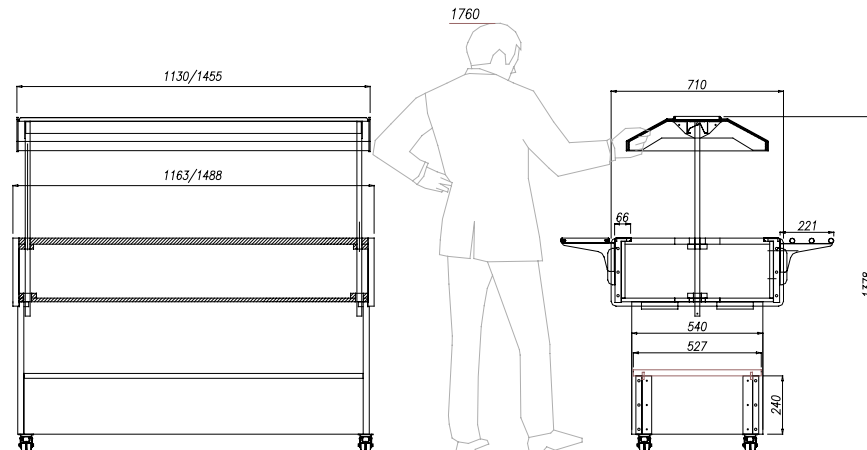




+25°C



60 UR%



COMPANY
WITH QUALITY SYSTEM
CERTIFIED BY DNV
ISO 9001

AFINOX

QUALITY PERFORMANCE IN REFRIGERATION

RANGE



- / - °C

KORO NEUTRO

Specifiche Tecniche - Specifications - Technische Daten - Données Techniques - Dato Técnicos

		230V/1N/50Hz		230V/1N/50Hz	
		KORO NEUTRO 3-1		KORO NEUTRO 4-1	
Codice prodotto Item code no	Produkt-Kode-Nr. Nr. de code du produit				
Grezzo - Raw Bianco - White Marr. Chiaro - Light Brown Marr.Scuro - Dark Brown	Unbehandelt - Brut Weiss - Blanc Hellbraun - Brun clair Dunkelbraun - Brun foncé	Codice Code Kode Code	- 9KOR3NNBRF001 9KOR3NNCRF001 -	9KOR4NNGRF001 9KOR4NNBRF001 9KOR4NNCRF001 9KOR4NNSRF001	
Range	°C		- / - °C	- / - °C	
Lunghezza esterna Outside length	Aussenlänge Longueur extérieure	mm	1163	1488	
Profondità Depth	Tiefe Profondeur	mm	710	710	
Illuminazione Lighting	Beleuchtung Eclairage	W	36	36	
Centralina elettronica Electronic central unit	Elektronisches Steuergehäuse Centrale électronique	ELIWELL CAREL	- -	- -	
Potenza assorbita Absorbed power	Leistungsaufnahme Puissance absorbée	W	36	36	
Peso Weight	Gewicht Poids	Kg	100	120	