


TEMPERATURE RANGE

TN  **-2°C / +7°C (PC-PV)**

BT  **-24°C / -18°C (PC)**

MAX CONDITION

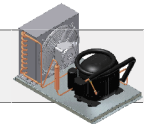
TN  **38°C**  **60 UR%**

BT  **38°C**  **60 UR%**



COMPANY
WITH QUALITY MANAGEMENT
SYSTEM CERTIFIED BY DNV
= ISO 9001:2000 =

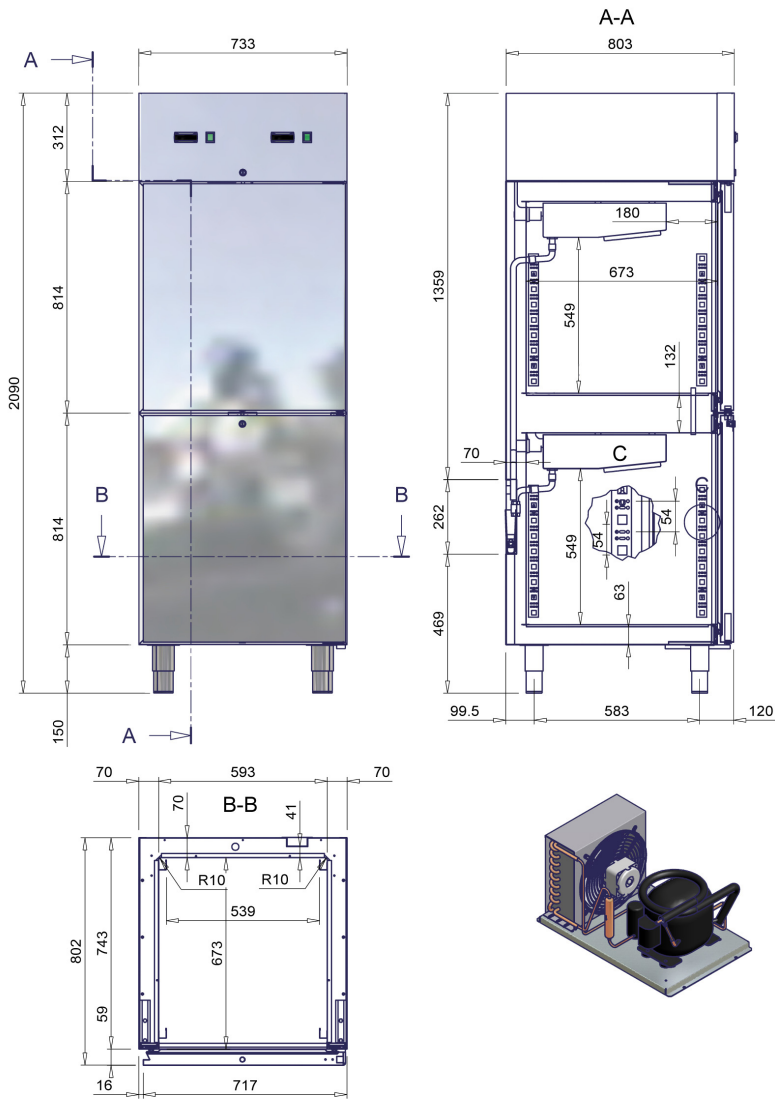
350+350 L - CLASSIC



Specifiche Tecniche - Specifications - Technische Daten - Données Techniques - Dato Técnicos

230 V / 50 Hz		RANGE	TN + TN	TN + BT	TN + TN (PV)
Codice prodotto Item code no	Produkt-Kode-Nr. Nr. de code du produit	inox*rostfr.St s/s*inox	8C072INC.....	8C072IBC.....	8C072INV.....
Lunghezza esterna Outside length	Aussenlänge Longueur extérieure	mm	733	733	733
Altezza Height	Höhe Hauteur	mm	2090	2090	2090
Profondità Depth	Tiefe Profondeur	mm	800	800	800
Capacità Capacity	Inhalt Capacité	dm ³	220 + 220	220 + 220	220 + 220
Compressore Compressor	Kompressor Compresseur	ASPERA	NB 6152 GK NB 6152 GK	NB 6152 GK T 2155 GK	NB 6152 GK NB 6152 GK
Potenza frigorifera Refrigeration power	Kalorienleistung (Te:-10°C..-30°C/Tc :+45°C) Puissance frigorifique	kcal/h W	317 / 317 369 / 369	317 / 314 369 / 366	317 / 317 369 / 369
Fluido refrigerante Refrigerant fluid	Kältemittel Gas frigorigène	kg	0.22 0.22	0.22 0.32	0.22 0.22
Capillare / V.T. Capillary / V.T.	Kapillarrohr / V.T. Capillaire / V.T.	diam. mm V.T.	1.06 x 2500 1.06 x 2500	1.06 x 2500 1.06 x 3500	1.06 x 2500 1.06 x 2500
Ventilatore del cond. Condenser fan	Kondensatorlüfter Ventilateur du condensateur	W	10	10	10
Ventilatore dell' evap. Evaporator fan	Verdampferlüfter Ventilateur de l'évaporateur	W	10	10	10
Centralina elettronica Electronic central unit	Elektronisches Steuergehäuse Centrale électronique	CAREL	IR33 IR33	IR33 IR33	IR33 IR33
Potenza assorbita Absorbed power	Leistungsaufnahme Puissance absorbée	W / I max (A)	430+430/2.5+2.5	430+550/2.5+3.4	430+430/2.5+2.5
Consumo giornaliero/24h Daily consumption/24h	Tagesverbrauch/24h UNI EN 441-9 Consommation par jour/24h	kWh/24h	3.83+3.83	3.83+10.98	4.5+4.5
Resist. Sbrinamento Defrosting heater	Abtauheizung Resistance degivrage	W	400	400	400
Illuminazione Lighting	Beleuchtung Eclairage	W	15	15	18+18
Peso Weight	Gewicht Poids	Kg	142	148	145

DIMENSIONI-DIMENSIONS

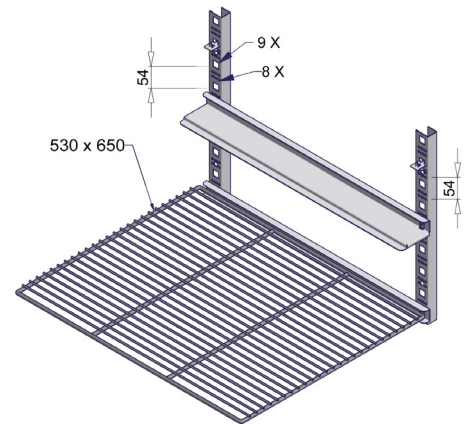


USCITA CAVO DI ALIMENTAZIONE
ELECTRICAL CONNECTION

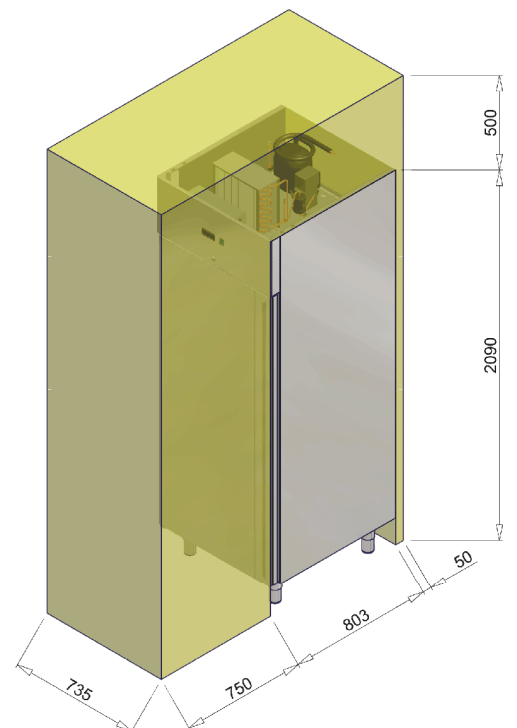


ZONA CALDA
HOT ZONE

ACCESSORIAMENTO-ACCESSORIES



**MINIMA AREA INSTALLAZIONE
MINIMUM INSTALLATION AREA**



RANGE T°

