




TEMPERATURE RANGE

TN  **-2°C / +8°C (PC-PV)**

BT  **-24°C / -18°C (PC)**

TN  **-2°C / +7°C (PV)**

MAX CONDITION

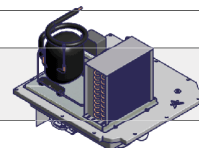
TN  **38°C**  **60 UR%**

BT  **38°C**  **60 UR%**

TN

COMPANY
WITH QUALITY MANAGEMENT
SYSTEM CERTIFIED BY DNV
= ISO 9001:2000 =

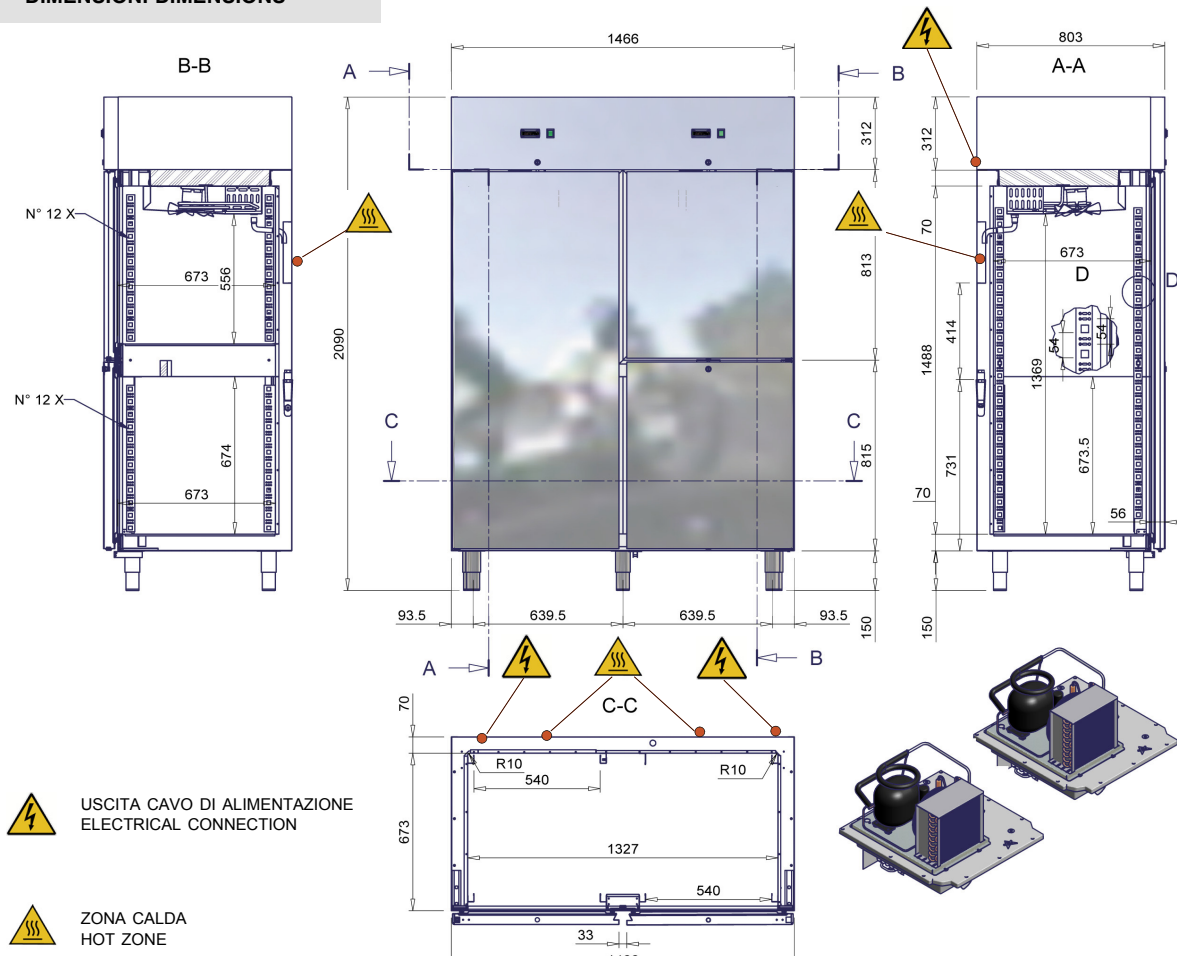
1050+350 L - TAMPONE



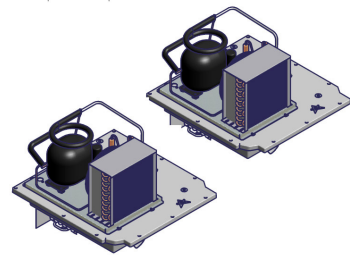
Specifiche Tecniche - Specifications - Technische Daten - Données Techniques - Dato Técnicos

230 V / 50 Hz		RANGE	TN + TN	TN +BT	TN+TN (PV)
Codice prodotto	Produkt-Kode-Nr.	inox*rosfr.St	8T0141INC.....	8T141IBC.....	8T141INV.....
Item code no	Nr. de code du produit	s/s*inox			
Lunghezza esterna	Aussenlänge	mm	1466	1466	1466
Outside length	Longueur extérieure				
Altezza	Höhe	mm	2090	2090	2090
Height	Hauteur				
Profondità	Tiefe	mm	800	800	800
Depth	Profondeur				
Capacità	Inhalt	dm ³	820+220	820 +220	820 + 220
Capacity	Capacité				
Compressore	Kompressor	ASPERA	NB 6165 GK	NB 6165 GK	NB 6165 GK
Compressor	Compresseur		NB 6152 GK	T2155 GK	NB 6152GK
Potenza frigorifera	Kalorienleistung (Te:-10°C..-30°C/Tc :+45°C)	kcal/h	389 / 317	389 / 314	389 / 317
Refrigeration power	Puissance frigorifique	W	453 / 369	453 / 366	453 / 369
Fluido refrigerante	Kältemittel	kg	R 404A / R 404A	R404A / R 404A	R 404A / R 404A
Refrigerant fluid	Gas frigorifère		0.32 / 0.22	0.32 / 0.32	0.32 / 0.22
Capillare / V.T.	Kapillarrohr / V.T.	diam. mm	1.24 X 3300	1.24 X 3300	1.24 X 3300
Capillary / V.T.	Capillaire / V.T.	V.T.	1.06 X 2500	1.06 X 3500	1.06 X 2500
Ventilatore del cond.	Kondensatorlüfter	W	10 + 10	10 + 10	10 + 10
Condenser fan	Ventilateur du condensateur				
Ventilatore dell' evap.	Verdampferlüfter	W	10 + 10	10 + 10	10 + 10
Evaporator fan	Ventilateur de l'évaporateur				
Centralina elettronica	Elektronisches Steuergehäuse	CAREL	IR33	IR33	IR33
Electronic central unit	Centrale électronique		IR33	IR33	IR33
Potenza assorbita	Leistungsaufnahme	W / I max (A)	525+430/3.4+2.5	525+550/3.4+3.4	525+430/3.4+2.5
Absorbed power	Puissance absorbée				
Consumo giornaliero/24h	Tagesverbrauch/24h UNI EN 441-9	kWh/24h	10.3	17.3	11.8
Daily consumption/24h	Consommation par jour/24h				
Resist. Sbrinamento	Abtauheizung	W	400 + 400	400 + 400	400 + 400
Defrosting heater	Resistance degivrage				
Illuminazione	Beleuchtung	W	15 + 15	15 + 15	36 + 18 + 18
Lighting	Eclairage				
Peso	Gewicht	Kg	230	235	240
Weight	Poids				

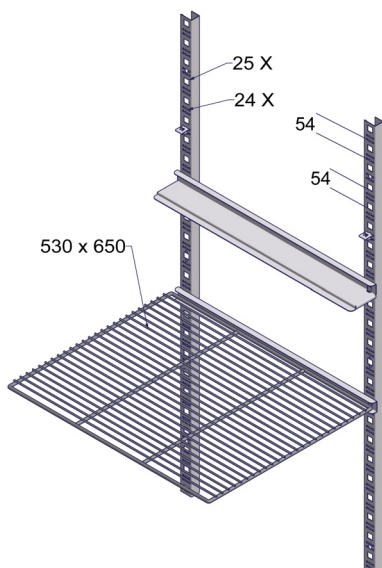
DIMENSIONI-DIMENSIONS



- USCITA CAVO DI ALIMENTAZIONE
ELECTRICAL CONNECTION
- ZONA CALDA
HOT ZONE



ACCESSORIAMENTO-ACCESSORIES



RANGE T°



**MINIMA AREA INSTALLAZIONE
MINIMUM INSTALLATION AREA**

