

DIMENSIONE - DIMENSION

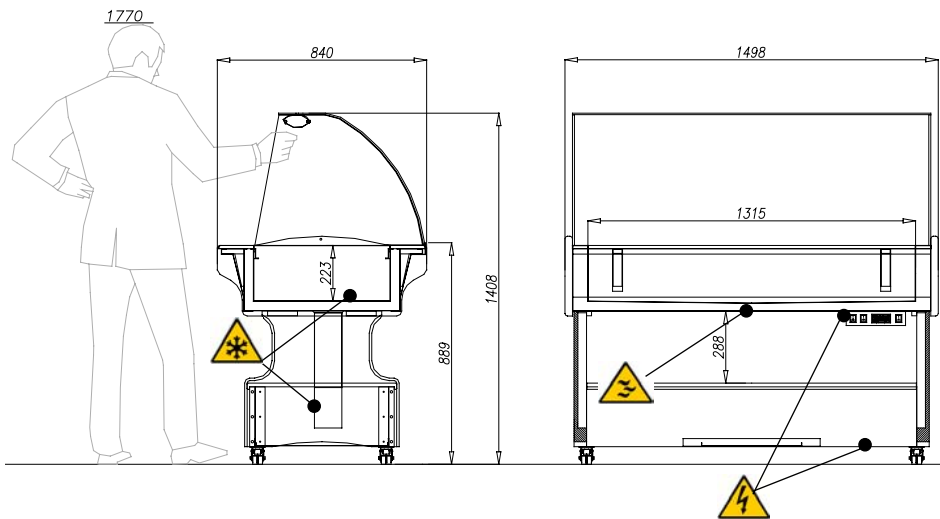
MAX. CONDITIONS



25°C



60 UR%



uscita cavo di alimentazione
electrical connection



scarico acqua
water outlet



circuito refrigerante
refrigeration circuit

RANGE



0 °C / +7 °C

COMPANY
WITH QUALITY MANAGEMENT
SYSTEM CERTIFIED BY DNV
= ISO 9001:2000 =

AFINOX

QUALITY PERFORMANCE IN REFRIGERATION

SAMOA SERVICE

Specifiche Tecniche - Specifications - Technische Daten - Données Techniques - Dato Técnicos

230 V / 50 HZ		SAMOA SERVICE 4-1	
Codice prodotto Item code no	Produkt-Kode-Nr. Nr. de code du produit		
Grezzo - Raw Bianco - White Marr. Chiaro - Light Brown Marr.Scuro - Dark Brown	Unbehandelt - Brut Weiss - Blanc Hellbraun - Brun clair Dunkelbraun - Brun foncé	Codice Code Code Code	9SAM4SFGIF001 9SAM4SFBIF001 9SAM4SFCIF001 9SAM4SFSIF001
Lunghezza esterna Outside length	Aussenlänge Longueur extérieure	mm	1498
Profondità Depth	Tiefe Profondeur	mm	840
Capacità Storage capacity	Inhalt Capacité	GN	4 GN 1/1
Compressore Compressor	Kompressor Compresseur	ASPERA	NB 6152 GK
Potenza frigorifera Refrigeration Power	Kalorienleistung (-10°C/+45°C) Puissance Frigorifique	kcal/h W	357 415
Fluido refrigerante Refrigerant fluid	Kaltemittel Gas Frigorigène		R404a 0,21
Capillare Capillary	Kapillarrohr Capillaire	diam. mm	1,24 mm - 0,049" 2200
Ventilatore Condensatore Condensator Fan	Kondensatorlüfter Ventilateur du condensateur	W	10
Illuminazione Lighting	Beleuchtung Eclairage	W	36
Centralina elettronica Electronic central unit	Elektronisches Steuergehäuse Centrale électronique	ELIWELL CAREL	ID 961 H/C PJ 32 S
Potenza assorbita Absorbed power	Leistungsaufnahme Puissance absorbée	W	396
Rumorosità Noise	Lautstärke Bruit	db(A)	50
Peso Weight	Gewicht Poids	Kg	156 (170)