

DIMENSIONE - DIMENSION

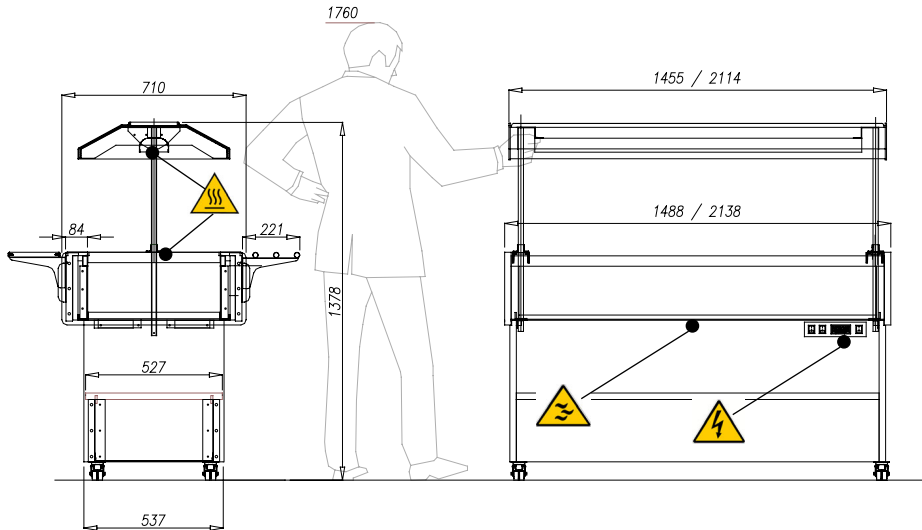
MAX CONDITIONS



+25°C



60 UR%



uscita cavo di alimentazione
electrical connection



zona riscaldata
hot zone



scarico acqua
water outlet

RANGE



+30°C / +90 °C

COMPANY
WITH QUALITY SYSTEM
CERTIFIED BY DNV
ISO 9001

AFINOX

QUALITY PERFORMANCE IN REFRIGERATION

HOT KORO

Specifiche Tecniche - Specifications - Technische Daten - Données Techniques - Dato Técnicos

| | | | 230V/1N/50Hz HOT KORO 4-1 | 400V/3N/50HZ HOT KORO 6-1 |
|---|---|--|--|--|
| Codice prodotto Item code no | Produkt-Kode-Nr. Nr. de code du produit | | | |
| Grezzo - Raw Bianco - White Marr. Chiaro - Light Brown Marr.Scuro - Dark Brown | Unbehandelt - Brut Weiss - Blanc Hellbraun - Brun clair Dunkelbraun - Brun foncé | Codice Code Code Code | 9KOR4NCGRF001 9KOR4NCBRF001 9KOR4NCCRF001 9KOR4NCSRF001 | 9KOR6NCGRF001 9KOR6NCBRF001 9KOR6NCCRF001 9KOR6NCSRF001 |
| Range | °C | | +30 °C / +90 °C | +30 °C / +90 °C |
| Lunghezza esterna Outside length | Aussenlänge Longueur extérieure | mm | 1488 | 2138 |
| Profondità Depth | Tiefe Profondeur | mm | 710 | 710 |
| Capacità Storage Capacity | Inhalt Capacité | l | 135 | 197 |
| Resistenza per piauale Plate resistance | Platte - Widerstand Résistance pour plaque | W | 1000 x 2 | 1000 x 3 |
| Lampada alogena Halogen Lamp | Halogenlampe Lampe Halogène | W | 500 x 2 | 500 x 3 |
| Centralina elettronica Electronic central unit | Elektronisches Steuergehäuse Centrale électronique | ELIWELL CAREL | ID 961 H/C PJ 32 S | ID 961 H/C PJ 32 S |
| Potenza assorbita Absorbed power | Leistungsaufnahme Puissance absorbée | W | 3000 | 4500 |
| Peso Weight | Gewicht Poids | Kg | 125 (150) | 150 |